

Type 168730



**Sturmklappe nach JIS 5 K (F-3059 R)
in Durchgangsform, mit Absperrung
aus Stahlguss**

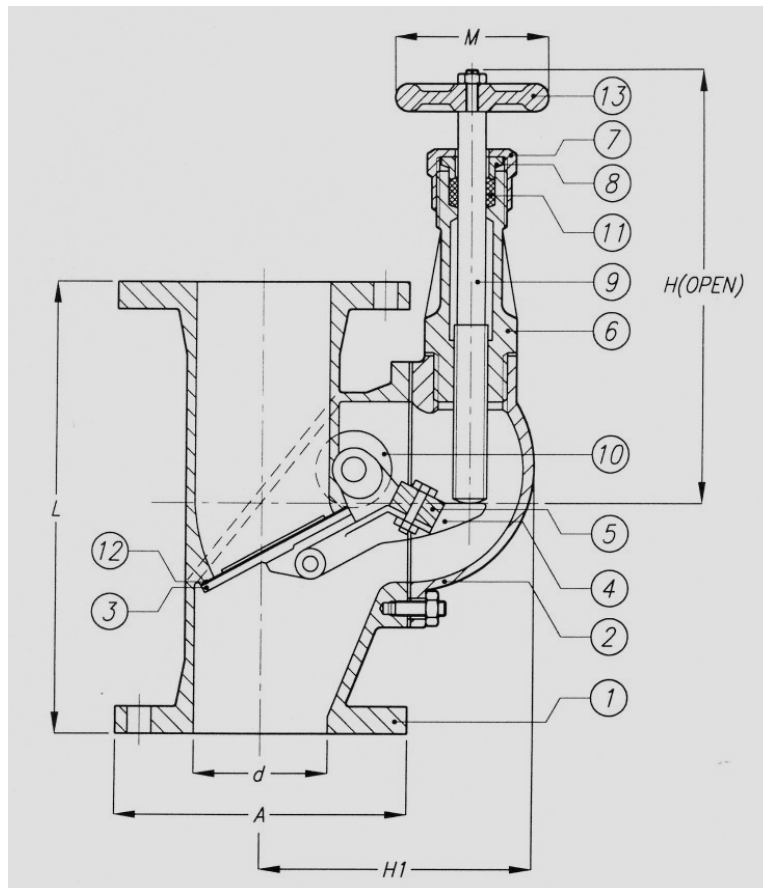
**storm valve acc. to JIS 5 K (F-3059 R)
straight type, with shut-off device
cast steel**

Materialspezifikation:

Gehäuse: Stahlguss SC 49
Deckel: Stahlguss SC 49
Klappenteller: Rotguss JIS H 5111 - BC 6
Spindel: Edelstahl SUS403
Handrad: Grauguss JIS G 5501 - FC20

material specification:

body: cast steel SC 49
bonnet: cast steel SC 49
flap: bronze JIS H 5111 - BC 6
stem: stainless steel SUS403
handwheel: cast iron JIS G 5501 - FC 20



Type 168730

Zulässiger Betriebsdruck: max. 5 bar / admissible operating pressure: max. 5 bar

| NW/DN | d | L | H1 | H open | A | PCD | Holes | M | KG |
|------------|-----|-----|-----|--------|-----|-----|--------|-----|----|
| 050 | 050 | 210 | 130 | 285 | 130 | 105 | 4x 15 | 100 | 12 |
| 065 | 065 | 240 | 140 | 302 | 155 | 130 | 4 x 15 | 100 | 17 |
| 080 | 080 | 260 | 155 | 300 | 180 | 145 | 4 x 19 | 125 | 22 |
| 100 | 100 | 280 | 170 | 306 | 200 | 165 | 8 x 19 | 125 | 30 |
| 125 | 125 | 330 | 185 | 355 | 235 | 200 | 8 x 19 | 125 | 44 |
| 150 | 150 | 360 | 205 | 365 | 265 | 230 | 8 x 19 | 125 | 52 |
| 200 | 200 | 450 | 257 | 464 | 320 | 280 | 8 x 23 | 150 | 92 |